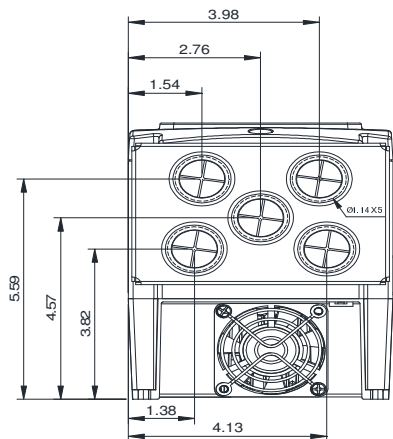
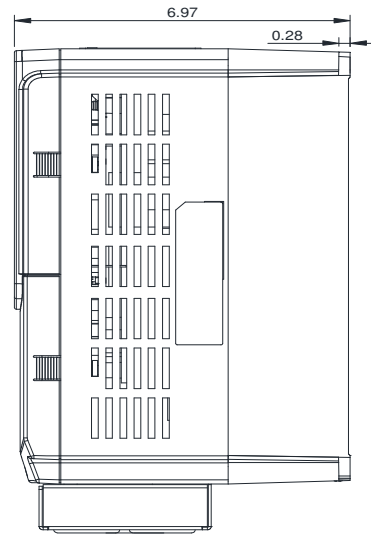
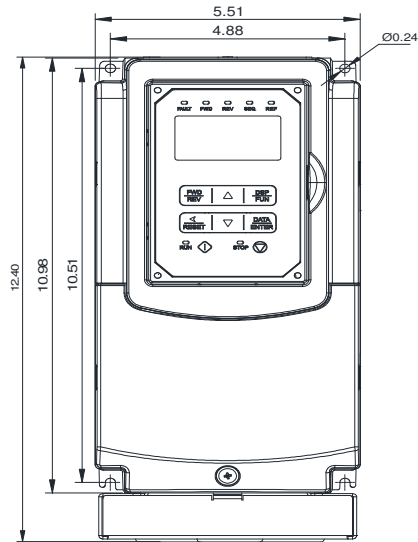


GENERAL DATASHEET VARIABLE SPEED DRIVE

Series A510				MODEL# A510-4005-C3-UE		
ISSUED 12/30/2019				ENCLOSURE/ FRAME NEMA 1 (IP20) / F2		
INPUT AMPS				AC INPUT VOLTAGE	AC INPUT FREQUENCY	AC INPUT PHASE
HD (CT) 9.6		ND (VT) 11.6				
OUTPUT HP				AC OUTPUT VOLTAGE	AC OUTPUT FREQUENCY	AC OUTPUT PHASE
HD (CT)		ND (VT)				
5		5/7.5		0-480	0-599	3
OUTPUT AMPS						
HD (CT)		ND (VT)				
9.2		12.1				



Approved By:	Brian Smith	Drawing No:	A510-460-005-F2	Revision: 1
--------------	-------------	-------------	-----------------	-------------